



Pump • Fire Fighting Units • Booster Set

# ECO SNV SUMP PUMP



ECO SNV Rev:11 09.2021

## Handled Liquids

Clean or normal contaminated low or medium viscosity liquids without solid & fibrous particles.

## Technical Data

Discharge Flange \_\_\_\_\_ DN 32....DN 200 mm

Capacity \_\_\_\_\_ up to 900 m<sup>3</sup>/h

Head \_\_\_\_\_ up to 60 m

Speed \_\_\_\_\_ up to 1500 rpm

Design Temperature \_\_\_\_\_ up to +95 °C

Casing Pressure (Pmax) \_\_\_\_\_ 10 bar

## Design Features

- Vertical, volute casing, single stage, end suction centrifugal sump pumps with enclosed type impeller.
- Up to 4 m. column length.
- Discharge pipe is extended up to base plate for easy installation.
- Suction and discharge flanges conform to EN 1092-2 / PN 16. (EN 1092-1 / PN 16 for steel or stainless steel casing)
- All impellers are balanced dynamically or statically according to ISO 1940 class 6.3.
- Axial thrust is balanced by impeller balancing holes system.

## Pump Designation

Pump Type \_\_\_\_\_

Discharge Nozzle (DN-mm) \_\_\_\_\_

Nominal Impeller Diameter (mm) \_\_\_\_\_

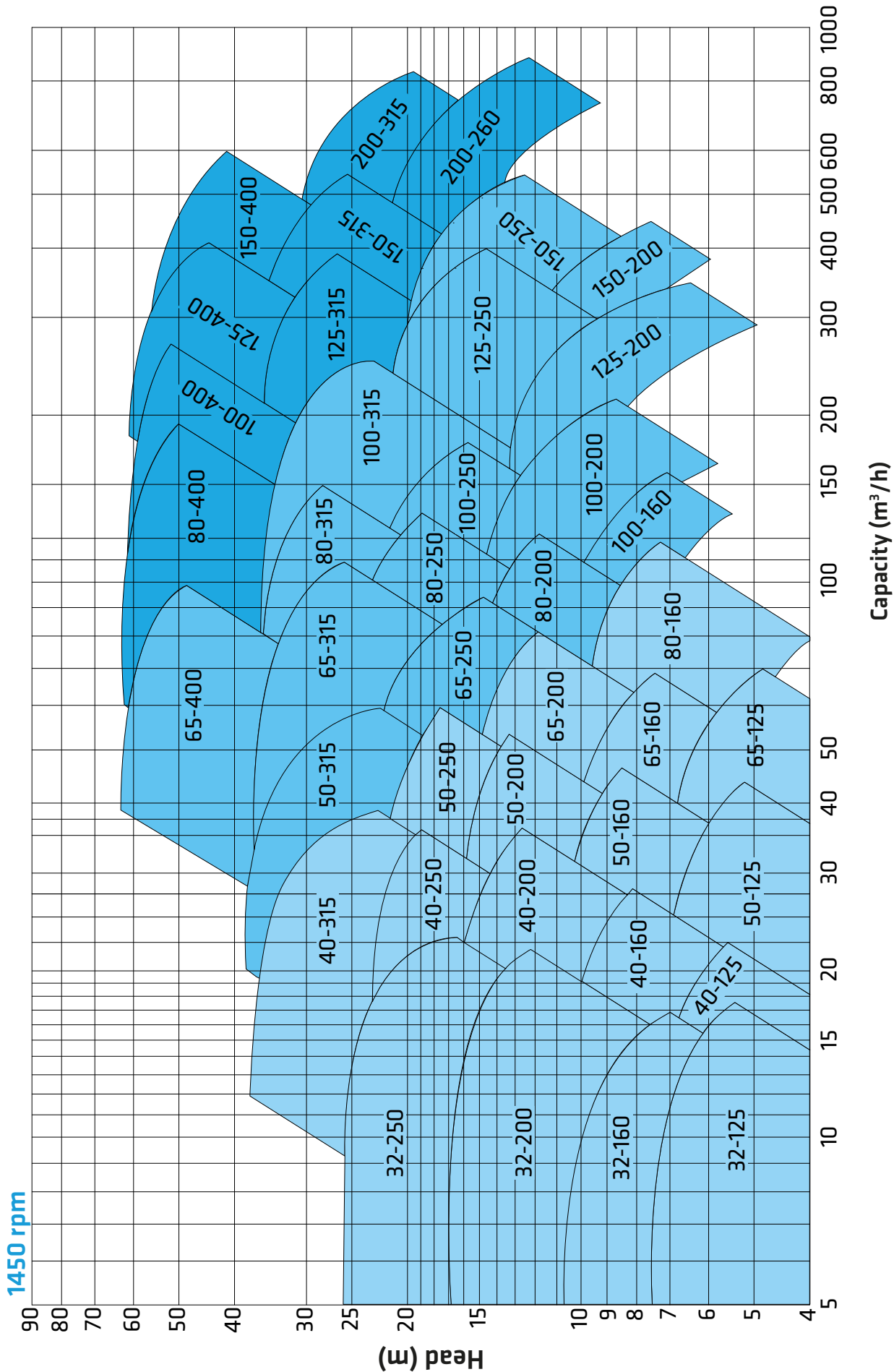


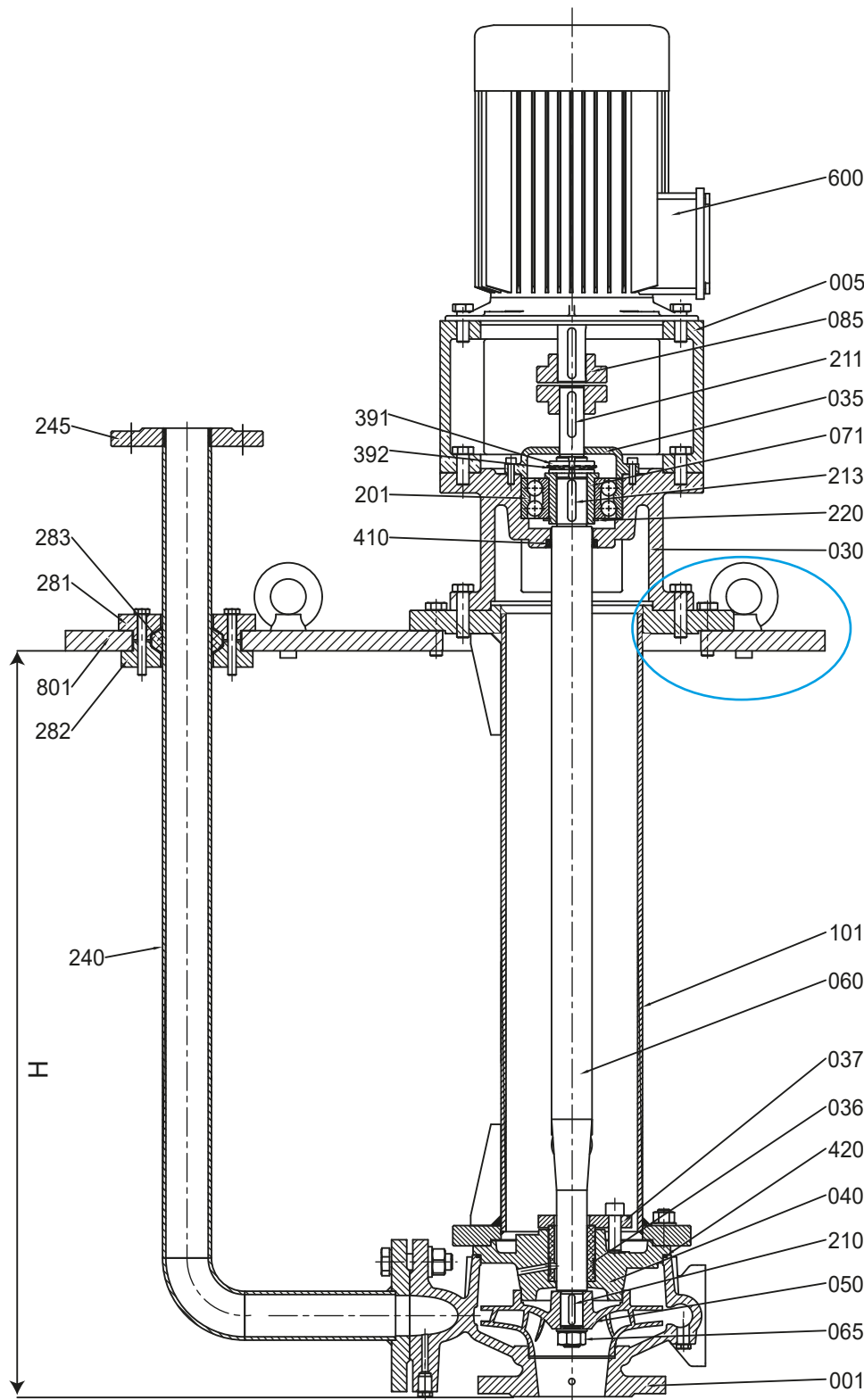
- Direction of rotation is clockwise viewed from driver.
- Bearings of ECO SNV type pumps are grease lubricated. Bottom and internal slide bearings are lubricated by the pumping liquid.
- Discharge flange is screwed onto the discharge pipe.
- Head is calculated at the discharge of the volute casing.

## Shaft Sealing

- No sealing is required.

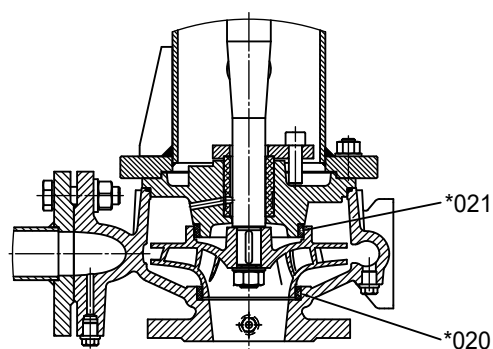
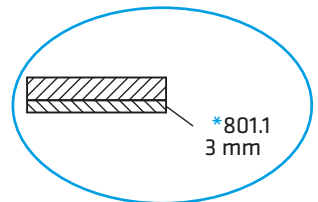
# ECO SNV 100 - 250





Part List

001	Volute Casing
011	Motor Pedestal
020*	Wear Ring (casing)
021*	Wear Ring (seal cover)
030	Bearing Housing
035	Bearing Cover
036	Slide Bearing
037	Slide Bearing Cover
040	Casing Cover
050	Impeller
060	Shaft
065	Impeller Nut
071	Intermediate Bearing Sleeve
085	Flexible Coupling
101	Column Pipe
201	Double Row Ball Bearing
210	Impeller Key
211	Coupling Key
213	Bearing Sleeve Key
220	Circlip
240	Discharge Pipe
245	Discharge Flange
281	Top Fixing Flange
282	Bottom Fixing Flange
283	Rubber Gasket
391	Shaft end nut
392	Lock Washer
410	Lip Seal
420	O-Ring
600	Electric Motor
801	Baseplate
*801.1	Stainless Steel Plate



**\*Optional**

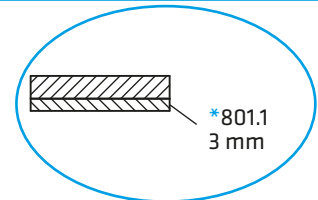
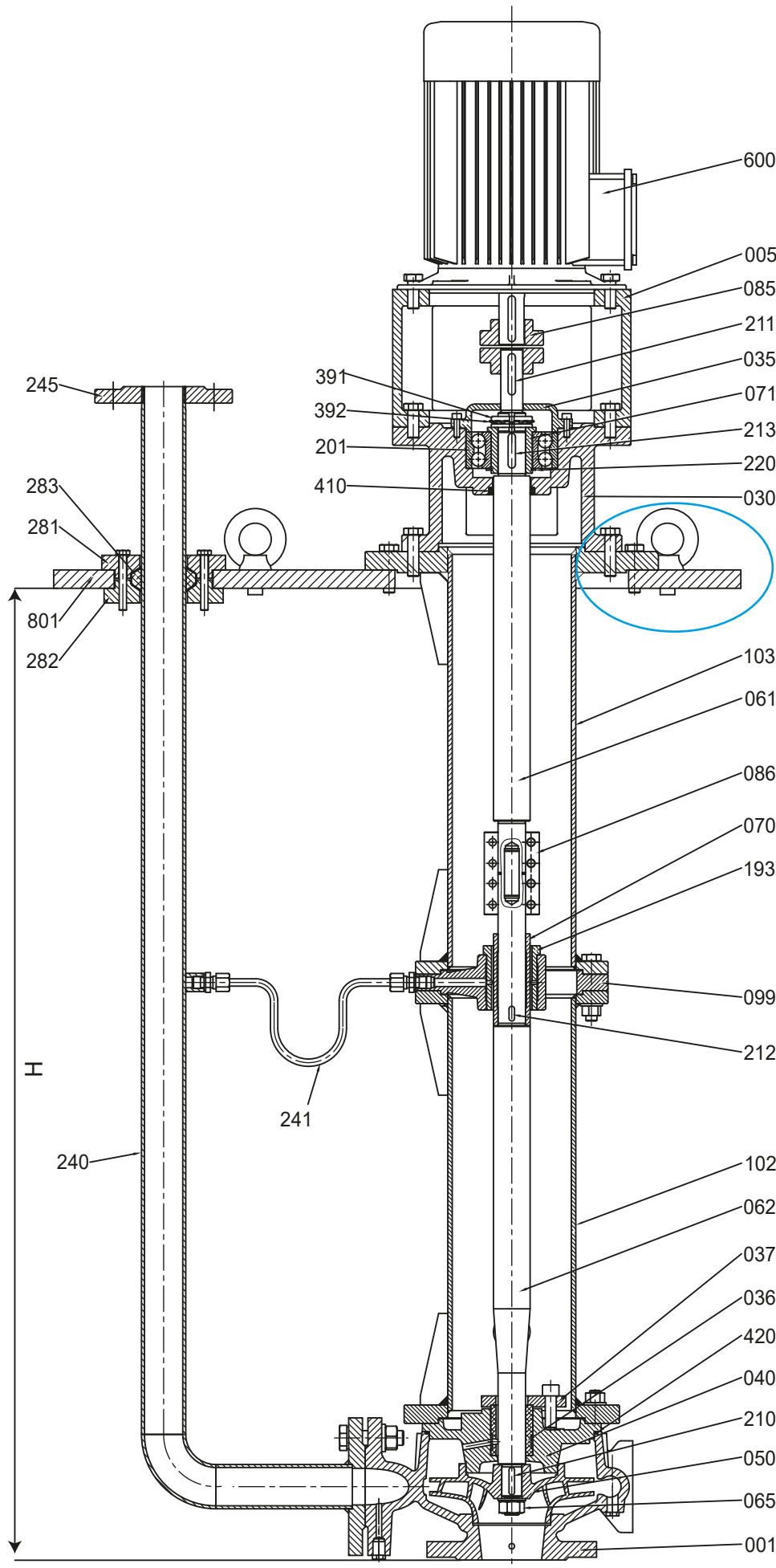
Stainless steel pump base plate can be asked for stainless steel pump as shown in the figure. 3 mm stainless steel plate is added at the bottom of steel baseplate.

# Sectional Drawing (Colum height H= greater than 1.5 m)

ECO SNV

## Part List

001	Volute Casing
011	Motor Pedestal
020*	Wear Ring (casing)
021*	Wear Ring (seal cover)
030	Bearing Housing
035	Bearing Cover
036	Slide Bearing
037	Slide Bearing Cover
040	Casing Cover
050	Impeller
061	Shaft (top)
062	Shaft (bottom)
065	Impeller Nut and Washer
070	Spacer Sleeve
071	Intermediate Bearing Sleeve
085	Flexible Coupling
086	Rigid Coupling
099	Intermediate Bearing Housing
102	Column Pipe (bottom)
103	Column Pipe (top)
193	Intermediate Slide Bearing
201	Double Row Ball Bearing
210	Impeller Key
211	Coupling Key
212	Spacer Sleeve Key
213	Bearing Sleeve Key
220	Circlip
240	Discharge Pipe
241	Cooling Pipe
245	Discharge Flange
281	Top Fixing Flange
282	Bottom Fixing Flange
283	Rubber Gasket
391	Shaft end nut
392	Lock Washer
410	Lip Seal
420	O-Ring
600	Electric Motor
801	Baseplate
*801.1	Stainless Steel Plate



### \*Optional

Stainless steel pump base plate can be asked for stainless steel pump as shown in the figure. 3 mm stainless steel plate is added at the bottom of steel baseplate.

PART LIST	0.6025	0.7040	1.0619	1.4308	1.4309	1.4408	1.4409	1.4500	1.4517	1.4469	1.4317	1.4008	2.1050.01	2.0975.01	2.1096.01	1.0037	1.0503	1.4021	1.4021+QT	1.4301	1.4404	1.4460	1.4462	Tungsten Carbide	PTFE
Volute Casing	●	○	○	○	○	○	○	○	○	○	○	○	○												
Casing Cover	●	○	○	○	○	○	○	○	○	○	○	○	○												
Impeller	●	○	○	○	○	○	○	○	○	○	○	○	○	○	○								○		
Shaft																	●	○	○	○	○		○		
Bearing Housing	●	○	○	○	○	○	○																		
Column Pipe																●				○	○				
Slide Bearing													●											○	○

● Standard manufacturing  
○ Optional

## Material Equivalents

Description	DIN / EN		AISI / SAE / ASTM
Cast Iron	0.6025	EN-GJL-250 (GG25)	A48 Class 40B
Nodular Cast Iron	0.7040	EN-GJS-400-15 (GGG40)	A536 60-40-18
Nodular Cast Iron	0.7043	EN-GJS-400-18-LT (GGG40.3)	A536 60-40-18
Cast Steel	1.0619	GP240GHGS-C25	A216 WCB
Chrome Nickel Cast Steel	1.4308	GX5CrNi19-10	A351 CF8
Chrome Nickel Cast Steel (low carbon)	1.4309	GX2CrNi19-11	A351 CF3
Chrome Nickel Molybdenum Cast Steel	1.4408	GX5CrNiMo19-11-2	A351 CF8M
Chrome Nickel Molybdenum Cast Steel (low carbon)	1.4409	GX2CrNiMo19-11-2	A351 CF3M
Austenitic Cast Steel	1.4500	GX7NiCrMoCuNb25-20	A351 CN7M
Austenitic - Ferritic Cast Steel (duplex)	1.4517	GX2CrNiMoCuN25-6-3-3	A890 CD4MCuN
Austenitic - Ferritic Cast Steel (super duplex)	1.4469	GX2CrNiMoN26-7-4	A890 CE3MN
Martenzitic Stainless Cast Steel	1.4317	GX4CrNi13-4	A352 CA6NM
Martenzitic Stainless Cast Steel	1.4008	GX7CrNiMo12-1	A217 CA15
Cast Bronze (tin alloy)	2.1050.01	G-CuSn10	B427 C90700
Cast Bronze (nickel alloy)	2.0975.01	G-CuAl10Ni	B148 C95500
Cast Bronze (lead)	2.1096.01	G-CuSn5ZnPb	B584 C83600
Steel	1.0037	St37	A 29 1015
Carbon Steel	1.0503	C45	AISI 1045
Chrome Steel	1.4021	X20Cr13	A276 Type 420
Chrome Steel (heat treated)	1.4021	X20Cr13	A276 Type 420+QT
Chrome Nickel Steel	1.4301	X5CrNi18-10	A276 Type 304
Chrome Nickel Steel (low carbon)	1.4404	X2CrNiMo17-12-2	A276 Type 316L
Duplex (austenitic-ferritic) Steel	1.4460	X3CrNiMoN27-5-2	AISI 329
Duplex (austenitic-ferritic) Steel	1.4462	X2CrNiMoN22-5-3	UNS S32205

## Flange Dimensions

EN 1092 - 2	DNe/DNb	Discharge (PN 16)			
		Df	k	s	n
	32	140	100	19	4
	40	150	110	19	4
	50	165	125	19	4
	65	185	145	19	4
	80	200	160	19	8
	100	220	180	19	8
	125	250	210	19	8
	150	285	240	23	8
	200	340	295	23	12

"n" number of holes

